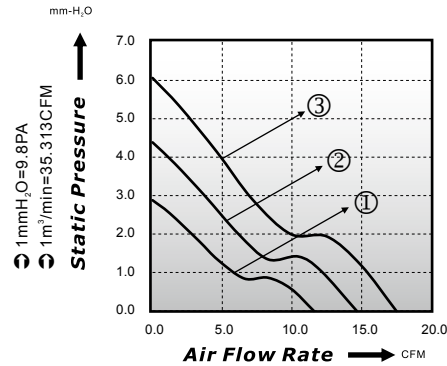


50x50x15mm

Model D

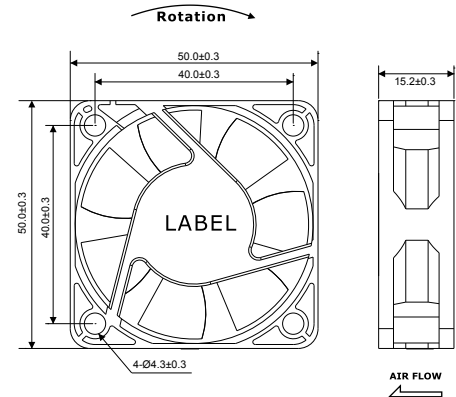


P-Q Curve (At Rated Voltage)



Dimensions Drawing

Unit: (mm)



Model No	Bearing (*)	Rated Voltage (VDC)	Rated Current (A)	Power Consumption (Watts)	Speed (rpm)	Air Flow (CFM)	Static Pressure (mmH ₂ O)	Noise (dBA)	Curve
ED05015-12L*	○ ● ⊖	12	0.11	1.32	4000	11.57	2.88	26.2	1
ED05015-12M*	○ ● ⊖	12	0.15	1.80	5000	14.65	4.39	32.0	2
ED05015-12H*	○ ● ⊖	12	0.22	2.64	6000	17.49	6.06	36.5	3
ED05015-24L*	○ ● ⊖	24	0.07	1.68	4000	11.57	2.88	26.2	1
ED05015-24M*	○ ● ⊖	24	0.10	2.40	5000	14.65	4.39	32.0	2
ED05015-24H*	○ ● ⊖	24	0.17	4.08	6000	17.49	6.06	36.5	3

* Bearing Type: ○ Sleeve ● Two Ball ⊖ Hydro-Dynamic